

LC-7233H

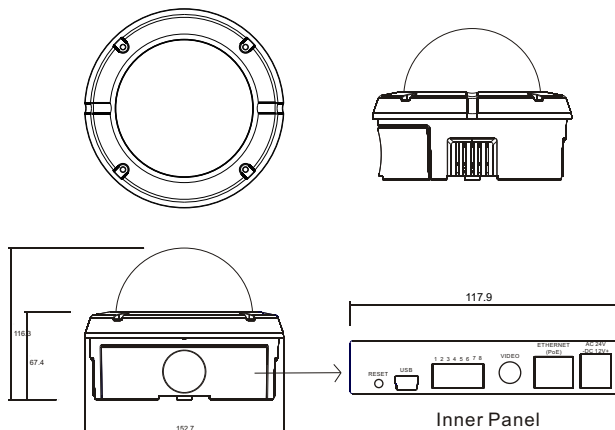
3-axis PoE Vandal proof IP Dome Camera

APPRO's LC-7233H is a 3-axis IP dome camera with a vandal proof body for day and night surveillance. With the specific 3-axis mechanical design, this dome camera provides a flexible installation for ceiling or wall mounting and wide angled viewing which pans 360° and tilts 180°.

The LC-7233H provides a dual video stream in the MJPEG and MPEG4 formats with up to 30 fps for real-time images. The built-in Web server supports remote monitoring and control via local area network or the Internet. With the built-in IR lights, this camera captures vivid imaging for nighttime condition. In addition, the LC-7233H supports PoE function, built-in motion detection, and alarm notification by SD card (SDHC, up to 32GB) or one alarm output.

APPRO also provides a free bundle recording software for video management. APPRO's LC-7233H is a feature-packed IP dome camera for indoor surveillance, which enables you to meet your security demands.

Dimensions



Features

- Selectable MJPEG / MPEG4 video compression.
- 1/3" Sony Super HAD CCD.
- Horizontal resolution: 520 TV lines.
- Built-in motion detection.
- IR distance: 20M.
- Built-in Web server.
- Pre-alarm: 100 pictures.
- Supports upgrading by SD card / USB / FTP.
- Free bundle recording software.

LC-7233H

3-axis PoE Vandal proof IP Dome Camera

SPECIFICATIONS

Video system

- Video sensor : 1/3" Sony Super HAD CCD.
- Horizontal resolution : 520 TV lines.
- Lens : Vari-focal 3.3~12mm.
- Auto-iris : DC drive.
- Min. illumination - IR Off: 0.5 Lux @ F1.2 .
- IR On: 0 lux.
- Camera adjustment angle - Pan: 0~360°.
- Tilt: 0~180°.
- Day & Night : Yes (mechanical IR cut filter).
- IR distance : 20M.

Image system

- Video compression : MJPEG or MPEG4 selectable.
- Resolution : 4CIF / 2CIF / CIF.
- Frame-rate :
 - MJPEG: 30(25) FPS at all resolutions.
 - MPEG4: 30(25)/24/15 FPS at all resolutions.
- Image quality : 5 levels.
- Image configurations : Contrast, Brightness, AWB, BLC, Sharpness, Saturation, Mirror, Private mask (3 areas).
- Built-in motion detection (96 zones / 5 levels).

Audio

- One-way audio (audio-in), 8Khz, sample rate.

Network system

- Interface : Ethernet (RJ-45 wired, 10 / 100 BaseTX, MDIX supported).
- Protocols : HTTP, TCP, DHCP, UPnP, ARP, DNS, DynDNS, SNTP, PPPoE, RTSP, SMTP[†], FTP[†].
- Security : Multiple authorities levels / IP address filtering.
- Users : 8 simultaneous users access.
- Firmware update : upgrade via SD card, HTTP, FTP , USB.

Application

- PC site : Free bundle recording software.
- System integration : Software development kit (HTTP-API / ActiveX control / customized web page tool).

Alarm management

- Alarm triggered by built-in motion detection / external alarm input / Network disconnection.
- Alarm notification by ANNP / e-mail[†] / FTP[†] / SD card / alarm output.
- Pre-alarm: 100 pictures.

Connectors

- Video output : 1.0Vpp, 75ohm, composite, negative, BNCx1.
- Ethernet : RJ-45 x 1.
- Push-in jack (8-pins) : alarm inputx1 / alarm output x1 / alarm resetx1/ audio inputx1/ audio outputx1/ RS-485x2 / GNDx1
- SD card slot: update / alarm and schedule recording.
- USB : update / configuration .
- Power jackx1.

Others

- LED indicator : Network / Power indicator.
- Power requirement :
 - DC12V(8.4W) / AC24V / PoE(IEEE 803.af).
- Temperature : 0 – 50°C.
- Dimensions (mm) : 152.9(D) x 116.3 (H).
- Approvals : FCC / CE / RoHS.
- Accessories :
 - CD x 1.
 - Quick installation manual x 1.
 - Power adapter x 1.
 - USB connection line x 1.

*Design and specifications are subject to change without notice.
†FTP and SMTP functions are for PAL version only.

